



BLOCKS

# BLOCKS



Vanguard Steel Ltd.



[www.vanguardsteelvancouver.com](http://www.vanguardsteelvancouver.com)  
[www.vanguardsteel.com](http://www.vanguardsteel.com)



# BLOCKS

## TABLE OF CONTENTS

|   | Page |
|---|------|
| General Information                     | 1    |
| SK-05 Korean Type                       | 7    |
| V-1800 Snatch Block with Hook           | 2    |
| V-1900 Snatch Block with Swivel Shackle | 3    |
| V-4000 Snatch Block Tail Board          | 4    |
| Gin Block                               | 8    |
| Roller Shackle                          | 9    |
| FX Yarding Block                        | 6    |
| Yarding Block                           | 5    |

## Snatch Blocks - Bronze Bushed



### MAINTENANCE:

To ensure peak efficiency and extended service life, it is necessary that blocks be inspected and maintained at frequent intervals:

Inspect products for any signs of wear or damage, such as:

- Worn or damaged sheaves, bushings, side plates, pins, hooks or shackles. Replace any part showing signs of wear or damage!
- Hook latch for proper fit and operation. Replace deformed latches!

These particular blocks feature bronze bushings, which are not self-lubricating. They are designed for infrequent or intermittent use with low line speeds. Observe the following lubrication schedule:

- Moderate use: Every 8 hours
- Intermittent operation: Once weekly

### LOADS:

Throughout this catalogue, the term Working Load Limit (abbreviated: WLL) is being used. It refers to the maximum load or force which a product is designed to support under normal operating and environmental conditions and the product being in an 'as new' condition.

### IMPORTANT:

The total load on a snatch block, and therefore also on any fitting which is attached to the block, is usually considerably greater than the actual load lifted or pulled. The deciding factor in determining the total load on a single line block is the angle between the lead line and the load line:

Total load on block = Actual Load Lifted x Multiplication Factor (single line systems only):

| Lead/Load Line Angle | Factor | Lead/Load Line Angle | Factor | Lead/Load Line Angle | Factor |
|----------------------|--------|----------------------|--------|----------------------|--------|
| 0°                   | 2.00   | 60°                  | 1.73   | 130°                 | 0.84   |
| 10°                  | 1.99   | 70°                  | 1.64   | 135°                 | 0.78   |
| 20°                  | 1.97   | 80°                  | 1.53   | 140°                 | 0.68   |
| 30°                  | 1.93   | 90°                  | 1.41   | 150°                 | 0.52   |
| 40°                  | 1.87   | 100°                 | 1.29   | 160°                 | 0.36   |
| 45°                  | 1.84   | 110°                 | 1.15   | 170°                 | 0.17   |
| 50°                  | 1.81   | 120°                 | 1.00   | 180°                 | 0.00   |

**Warning:**

NEVER EXCEED WORKING LOAD LIMITS!  
ALWAYS REFER TO LOAD CALCULATION TABLE BASED ON LINE ANGLE!



## V-1800 Snatch Blocks with Hook

Bronze Bushed-Supplied with latch kit  
 Designed for intermittent use with low line speed.  
 Ultimate load is 4 x Working Load Limit (WLL)



| V-1800   |             |           |  | Weight<br>lbs/pc | Product<br>Code |
|----------|-------------|-----------|--|------------------|-----------------|
| WLL Tons | Sheave Dia. | Rope Dia. |  |                  |                 |
| 2        | 3"          | 3/8"      |  | 3                | 29362030        |
| 4        | 4-1/2"      | 1/2"      |  | 12               | 29362045        |
| 8        | 6"          | 3/4"      |  | 27               | 29362060        |
| 8        | 8"          | 3/4"      |  | 35               | 29362080        |
| 15       | 8"          | 1-1/8"    |  | 58               | 29362081        |
| 20       | 8"          | 1-1/8"    |  | 103              | 29362082        |
| 8        | 10"         | 3/4"      |  | 50               | 29362100        |



Total Load on block= Actual Load Lifted x Multiplication Factor (single line systems only)

| Lead/Load<br>Line Angle | Factor | Lead/Load<br>Line Angle | Factor | Lead/Load<br>Line Angle | Factor |
|-------------------------|--------|-------------------------|--------|-------------------------|--------|
| 0°                      | 2.00   | 60°                     | 1.83   | 130°                    | 0.84   |
| 10°                     | 1.99   | 70°                     | 1.64   | 135°                    | 0.76   |
| 20°                     | 1.97   | 80°                     | 1.53   | 140°                    | 0.67   |
| 30°                     | 1.93   | 90°                     | 1.41   | 150°                    | 0.52   |
| 40°                     | 1.87   | 100°                    | 1.29   | 160°                    | 0.35   |
| 45°                     | 1.84   | 110°                    | 1.15   | 170°                    | 0.17   |
| 50°                     | 1.81   | 120°                    | 1.00   | 180°                    | 0.00   |

**WARNING** Never Exceed working load limits !  
 Always refer to load calculations based on line angle!



# V-1900 Snatch Blocks with Swivel Shackle

Bronze Bushed

Designed for intermittent use with low line speed.

Ultimate load is 4 x Working Load Limit (WLL)



| V-1900   |             |           |  | Weight<br>lbs/pc | Product<br>Code |
|----------|-------------|-----------|--|------------------|-----------------|
| WLL Tons | Sheave Dia. | Rope Dia. |  |                  |                 |
| 2        | 3"          | 3/8"      |  | 3                | 29353030        |
| 4        | 4-1/2"      | 1/2"      |  | 13               | 29353045        |
| 8        | 6"          | 3/4"      |  | 29               | 29353060        |
| 8        | 8"          | 3/4"      |  | 36               | 29353080        |
| 15       | 8"          | 1-1/8"    |  | 65               | 29353081        |
| 20       | 8"          | 1-1/8"    |  | 117              | 29353082        |
| 8        | 10"         | 3/4"      |  | 53               | 29353100        |
| 15       | 10"         | 7/8-1"    |  | 82               | 29353101        |
| 8        | 14"         | 5/8"      |  | 81               | 29353140        |



Total Load on block= Actual Load Lifted x Multiplication Factor (single line systems only)

| Lead/Load<br>Line Angle | Factor | Lead/Load<br>Line Angle | Factor | Lead/Load<br>Line Angle | Factor |
|-------------------------|--------|-------------------------|--------|-------------------------|--------|
| 0°                      | 2.00   | 60°                     | 1.83   | 130°                    | 0.84   |
| 10°                     | 1.99   | 70°                     | 1.64   | 135°                    | 0.76   |
| 20°                     | 1.97   | 80°                     | 1.53   | 140°                    | 0.67   |
| 30°                     | 1.93   | 90°                     | 1.41   | 150°                    | 0.52   |
| 40°                     | 1.87   | 100°                    | 1.29   | 160°                    | 0.35   |
| 45°                     | 1.84   | 110°                    | 1.15   | 170°                    | 0.17   |
| 50°                     | 1.81   | 120°                    | 1.00   | 180°                    | 0.00   |

**WARNING**

Never Exceed working load limits !  
Always refer to load calculations based on line angle!



## V-4000 Tail Boards

Designed for intermittent use with low line speed.  
 Ultimate load is 4 x Working Load Limit (WLL)



| <b>V-1800</b> |             |           |  | Weight<br>lbs/pc | Product<br>Code |
|---------------|-------------|-----------|--|------------------|-----------------|
| WLL Tons      | Sheave Dia. | Rope Dia. |  |                  |                 |
| 2             | 3"          | 3/8"      |  | 3                | 29351030        |
| 4             | 4-1/2"      | 1/2"      |  | 8                | 29351045        |
| 8             | 6"          | 3/4"      |  | 15               | 29351060        |
| 8             | 8"          | 3/4"      |  | 25               | 29351080        |
| 15            | 8"          | 1-1/8"    |  | 35               | 29351081        |
| 20            | 8"          | 1-1/8"    |  | 70               | 29351083        |



Total Load on block= Actual Load Lifted x Multiplication Factor (single line systems only)

| Lead/Load<br>Line Angle | Factor | Lead/Load<br>Line Angle | Factor | Lead/Load<br>Line Angle | Factor |
|-------------------------|--------|-------------------------|--------|-------------------------|--------|
| 0°                      | 2.00   | 60°                     | 1.83   | 130°                    | 0.84   |
| 10°                     | 1.99   | 70°                     | 1.64   | 135°                    | 0.76   |
| 20°                     | 1.97   | 80°                     | 1.53   | 140°                    | 0.67   |
| 30°                     | 1.93   | 90°                     | 1.41   | 150°                    | 0.52   |
| 40°                     | 1.87   | 100°                    | 1.29   | 160°                    | 0.35   |
| 45°                     | 1.84   | 110°                    | 1.15   | 170°                    | 0.17   |
| 50°                     | 1.81   | 120°                    | 1.00   | 180°                    | 0.00   |

**WARNING** Never Exceed working load limits !  
 Always refer to load calculations based on line angle!



# Yarding Blocks

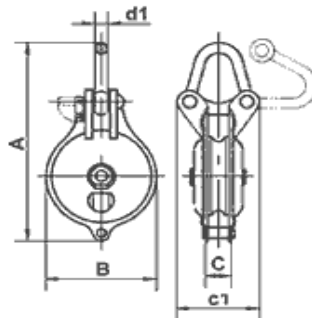
Fast and strong for light duty and high speed applications  
 Smooth roller bearing action with grease nipple  
 Pull pin to use as snatch block  
 Painted or H.D. Galvanized



| Yarding Blocks |             | Measurements in inches |      |      |      |      | Weight<br>lbs/pc | Product Code |           |
|----------------|-------------|------------------------|------|------|------|------|------------------|--------------|-----------|
| WLL<br>Tons    | Sheave Dia. | A                      | B    | C    | C-1  | D-1  |                  | Painted      | H.D. Galv |
| 1.5            | 3"          | 6.93                   | 3.35 | 1.02 | 3.15 | 0.47 | 3                | 29360300     | 293603001 |
| 3              | 4"          | 9.25                   | 4.76 | 1.34 | 3.39 | 0.63 | 5                | 29360400     | 293604001 |
| 4.5            | 5"          | 12.01                  | 5.71 | 1.50 | 4.06 | 0.71 | 9                | 29360500     | 263605001 |
| 6              | 6"          | 13.78                  | 7.09 | 1.61 | 4.33 | 0.87 | 17               | 29360600     | 263606001 |
| 8              | 8"          | 16.73                  | 8.86 | 1.81 | 6.50 | 1.10 | 35               | 29360800     | 263608001 |

Ultimate load                    3 x the Working Load Limit ( WLL)

**WARNING :**                    **Do not exceed the listed load limits**





## FX Yarding Blocks

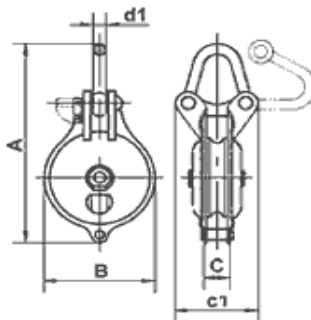
Fast and strong for light duty and high speed applications  
 Smooth roller bearing action with grease nipple  
 Pull pin to use as snatch block  
 All Black to help block blend into its surroundings.



| Yarding Blocks |             | Measurements in inches |      |      |      |      | Weight lbs/pc | Product Code |
|----------------|-------------|------------------------|------|------|------|------|---------------|--------------|
| WLL Tons       | Sheave Dia. | A                      | B    | C    | c-1  | d-1  |               |              |
| 1.5            | 3"          | 6.93                   | 3.35 | 1.02 | 3.15 | 0.47 | 3             | 29360030     |
| 3              | 4"          | 9.25                   | 4.76 | 1.34 | 3.39 | 0.63 | 5             | 29360040     |

Ultimate load            3 x the Working Load Limit ( WLL)

**WARNING :**            **Do not exceed the listed load limits**







# SK 05 Korean Type Block

Used for lashing equipment on lumber vessels and log carriers



| SK 05 Block |  |  |  |            |  |      |        |  |          |
|-------------|--|--|--|------------|--|------|--------|--|----------|
| Sheave      |  |  |  | Rope       |  | WLL  | Weight |  | Product  |
| Dia. (in.)  |  |  |  | Size (in.) |  | Tons | lbs/pc |  | Code     |
| 6           |  |  |  | 3/4-15/16" |  | 5    | 35.3   |  | 29356060 |

Ultimate load is 2 x the Working Load Limit ( WLL)

**WARNING** Never Exceed working load limits !

Vanguard Steel Ltd. \_\_\_\_\_



# Gin Block

Gin Block Rope Pulley used with manila rope or synthetic 3 strand rope used by Roofers, Painters and Contractors for light hoisting and lifting.

Supplied with Drop Forged Swivel Hook and Latch.



| Gin Blocks        |                  | Sheave Size   |                  |   | Rope Size (in.) | WLL (lbs) | Weight lbs/pc | Product Code |
|-------------------|------------------|---------------|------------------|---|-----------------|-----------|---------------|--------------|
| Sheave Dia. (in.) | Outside Diameter | Rim Thickness | Bearing Diameter |   |                 |           |               |              |
| 12"               | 12"              | 1.38"         | .88"             | 1 | 1,000           | 13        | 29354012      |              |

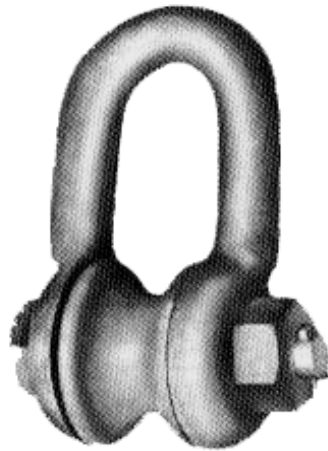
Ultimate load is 3 x Working Load Limit ( WLL)

Finish: Painted



# Roller Shackles

Used for lashing equipment on lumber vessels and log carriers



| Roller Shackle      |                     |                    |  |  |                    |             |                  |  |                 |
|---------------------|---------------------|--------------------|--|--|--------------------|-------------|------------------|--|-----------------|
| Sheave<br>Dia (in.) | Roller<br>Thickness | Roller<br>Diameter |  |  | Rope<br>Size (in.) | WLL<br>Tons | Weight<br>lbs/pc |  | Product<br>Code |
| 1-1/8               | 2"                  | 2-7/8"             |  |  | 4                  | 4           | 8.2              |  | 29466028        |

Finish    Hot Dip Galvanized