



THIMBLES





THIMBLES TABLE OF CONTENTS

	Page
AN Stainless Steel	1
Heavy Duty	2
Standard	3
Stainless Steel Heavy Duty	4

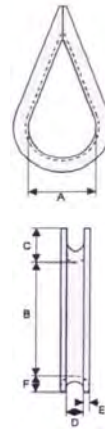


STAINLESS AN THIMBLES

For applications using small diameter galvanized or stainless cable
 Made from AISI 316 stainless rod.



Size Inches	Item No.	Dimension Inches						Weight (lbs/100)	Product Code
		A	B	C	D	E	F		
3/64-1/16-5/64"	C-3	0.350	0.671	0.157	0.093	0.032	0.078	0.15	29600004
3/32-1/8-7/64"	C-4	0.350	0.671	0.218	0.140	0.032	0.078	0.43	29600006
5/32"	C-5	0.400	0.796	0.218	0.171	0.032	0.109	0.60	29600010
3/16"	C-6	0.500	1.000	0.312	0.203	0.032	0.171	0.98	29600012
1/4"	C-8	0.700	1.406	0.406	0.265	0.032	0.171	1.50	29600016
5/16"	C-10	0.900	1.796	0.437	0.328	0.040	0.218	3.50	29600020
3/8"	C-12	1.000	2.000	0.625	0.390	0.060	0.265	8.50	29600024



WARNING Wire rope thimbles do not have an established load rating and are meant to serve as rope protection only.

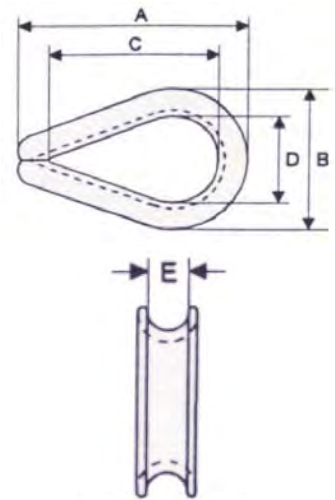


Heavy Duty Wire Rope Thimbles

Made from cold rolled steel, for protection of rope eyes in demanding applications.



Size Inches	Dimension Inches					Weight (lbs pc)	Product Code
	A	B	C	D	E		
1/4"	2.22	1.49	1.65	0.89	0.32	0.06	29060016
5/16"	2.53	1.82	1.88	1.08	0.40	0.11	29060020
3/8"	2.89	2.06	2.11	1.14	0.53	0.21	29060024
7/16"	3.25	2.32	2.39	1.24	0.55	0.27	29060028
1/2"	3.63	2.70	2.86	1.47	0.60	0.51	29060032
9/16"	3.53	2.77	2.66	1.53	0.56	0.51	29060036
5/8"	4.26	3.07	3.33	1.75	0.76	0.69	29060040
3/4"	5.09	3.73	3.68	2.04	0.95	1.53	29060048
7/8"	5.66	4.05	4.32	2.19	1.09	1.87	29060056
1"	6.56	4.50	4.80	2.32	1.25	2.48	29060100
1-1/8"	7.00	5.53	5.17	2.99	1.50	3.32	29060108
1-1/4"	9.00	6.50	7.50	3.20	1.64	8.16	29060116
1-3/8-1-1/4"	9.00	6.75	7.50	3.30	1.90	10.40	29060124
1-3/4"	12.00	8.11	8.64	4.10	1.50	15.10	29060148
2"	15.30	9.90	11.90	6.03	2.00	21.70	29060200



Meeting the performance requirements of:
U.S. Fed. Specs FF-T-276B, Type III

WARNING Wire rope thimbles do not have an established load rating and are meant to serve as rope protection only.

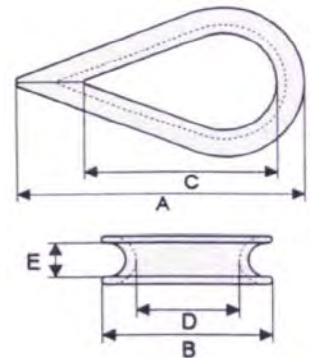


Standard Thimbles

For light duty applications with fibre or wire ropes to protect rope eyes against cuts and abrasions.



Size	Dimension Inches					Weight (lbs pc)	Product Code
	A	B	C	D	E		
1/8"	1.92	1.18	1.33	0.70	0.19	0.03	29050008
3/16"	1.92	1.13	1.38	0.72	0.24	0.03	29050012
1/4"	1.95	1.09	1.38	0.71	0.29	0.03	29050016
5/16"	2.11	1.22	1.52	0.81	0.36	0.04	29050020
3/8"	2.25	1.43	1.70	0.94	0.40	0.06	29050024
1/2"	2.70	1.78	1.85	1.18	0.61	0.10	29050032
5/8"	3.48	2.32	2.32	1.37	0.74	0.32	29050040
3/4"	3.72	2.70	2.58	1.61	0.81	0.48	29050048
7/8"	4.97	3.08	3.54	1.89	1.00	0.76	29050056
1"	5.57	3.72	4.13	2.52	1.07	0.92	29050100



Meeting the performance requirements of:
U.S. Fed. Specs FF-T-276B, Type II

Finish: Electroplated zinc coating.

WARNING Wire rope thimbles do not have an established load rating and are meant to serve as rope protection only.



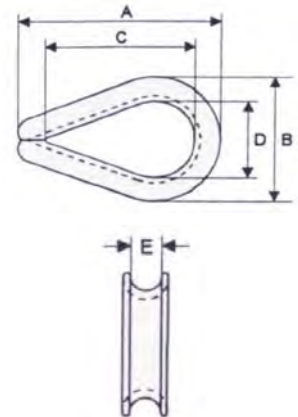
T 316 Heavy Duty Wire Rope Thimbles

Made from AISI 316 stainless rod.

Stainless Steel thimbles are used in corrosive environments on turnback eyes to extend sling life when used as rope protection.



Size Inches	Dimension Inches					Weight (lbs pc)	Product Code
	A	B	C	D	E		
3/16"	1.94	1.25	1.50	0.75	0.32	0.06	29610012
1/4"	2.22	1.49	1.65	0.89	0.32	0.06	29610016
5/16"	2.53	1.82	1.88	1.08	0.40	0.11	29610020
3/8"	2.89	2.06	2.11	1.14	0.53	0.21	29610024
7/16"	3.25	2.32	2.39	1.24	0.55	0.27	29610028
1/2"	3.63	2.70	2.86	1.47	0.60	0.51	29610032
9/16"	3.53	2.77	2.66	1.53	0.56	0.51	29610036
5/8"	4.26	3.07	3.33	1.75	0.76	0.69	29610040
3/4"	5.09	3.73	3.68	2.04	0.95	1.53	29610048
7/8"	5.66	4.05	4.32	2.19	1.09	1.87	29610056
1"	6.56	4.50	4.80	2.32	1.25	2.48	29610100



Meeting the performance requirements of:
U.S. Fed. Specs FF-T-276B, Type III

WARNING Wire rope thimbles do not have an established load rating and are meant to serve as rope protection only.