

**INDUSTRIAL CATALOGUE**  
**VANCOUVER**



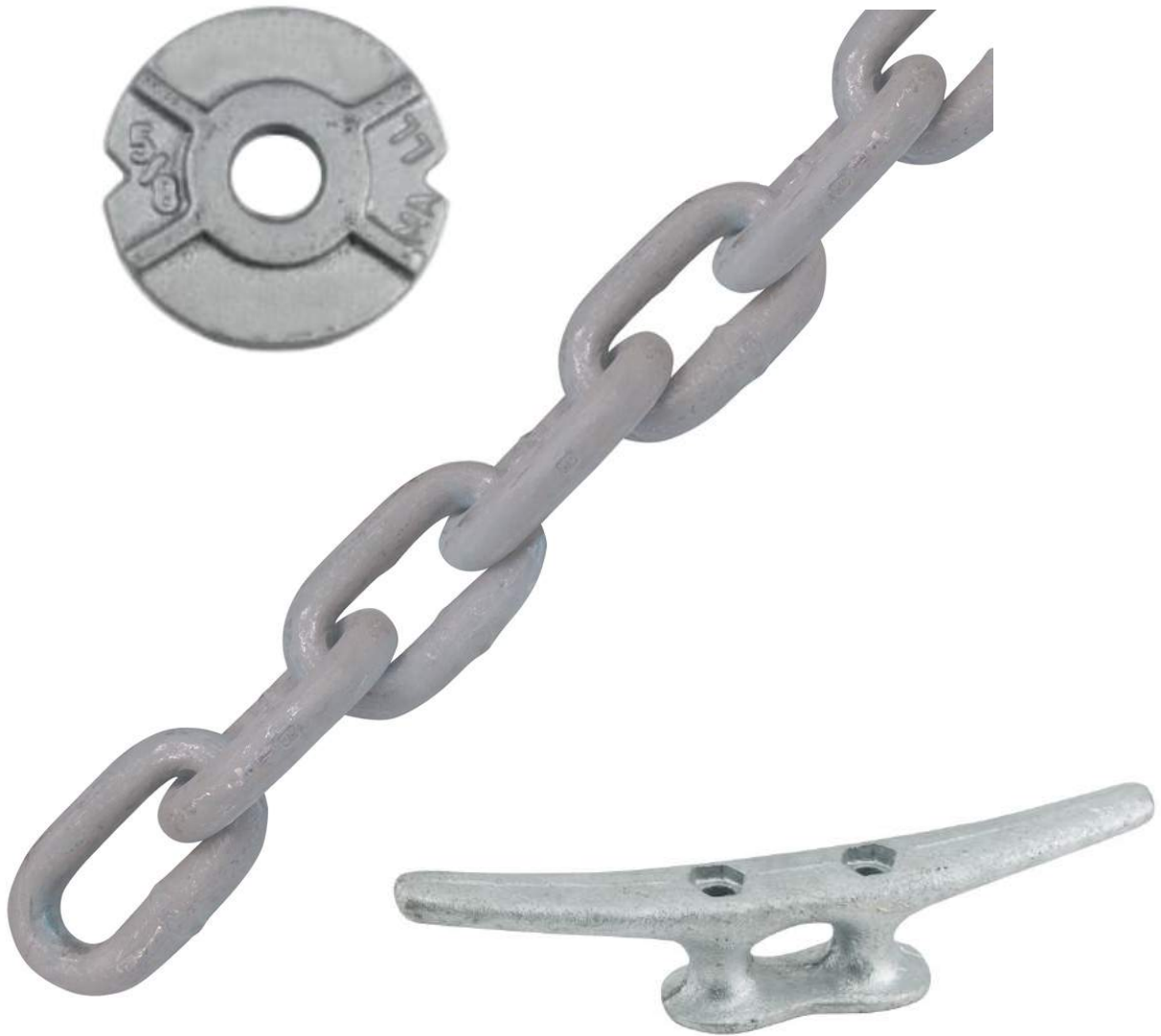
**VANGUARD STEEL LTD.**

2016



DOCK LINE

## DOCK LINE



[www.vanguardsteelvancouver.com](http://www.vanguardsteelvancouver.com)  
[www.vanguardsteel.com](http://www.vanguardsteel.com)

VANGUARD STEEL LTD.

DOCK LINE



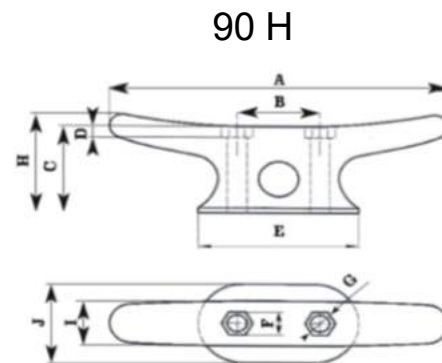
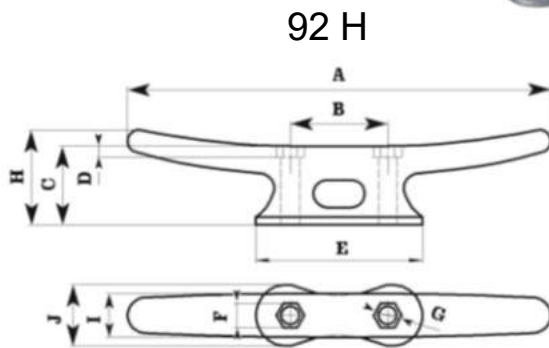
# DOCK LINE TABLE OF CONTENTS

	Page
Dock Cleats	1
Grade 30 Long Link Mooring Chain	2
Timber Washers Malleable	3

# Hot Dipped Galvanized Dock Cleats

A device for securing a rope.

A traditional design, horn cleat, features two "horns" extending parallel to the deck or the axis of the spar, attached to a flat surface or a spar, and resembling an anvil.



Size	Weight Pc.	A	B	C	D	E	F	G	H	I	J	Bolt	Product Code
------	------------	---	---	---	---	---	---	---	---	---	---	------	--------------

### Standard ( 92 H )

3-1/2"	0.24	3.50	0.83	0.79		1.65	0.39	0.22	0.98	0.47	0.69	1/8"	41110035
4"	0.22	4.13	0.91	0.87	0.18	1.85	0.43	0.26	1.12	0.59	0.87	3/16"	41110040
5"	0.32	4.96	1.08	1.06	0.18	2.20	0.43	0.26	1.36	0.61	0.89	3/16"	41110050
6"	0.40	5.75	1.25	1.10	0.19	2.17	0.47	0.33	1.34	0.71	0.87	1/4"	41110060
8" Large	1.40	7.91	1.63	1.57	0.23	3.19	0.54	0.39	2.01	0.98	1.38	5/16"	41110081
8" Small	1.06	7.99	1.63	1.54	0.28	2.91	0.60	0.46	1.89	0.94	1.22	3/8"	41110080
10"	2.09	10.35	2.38	1.93	0.28	4.06	0.60	0.45	2.32	1.06	1.50	3/8"	41110100
12"	3.22	12.05	3.38	2.32	0.36	5.55	0.83	0.59	2.91	1.18	1.89	1/2"	41110120
14"	5.42	14.21	4.25	2.72	0.36	6.14	0.83	0.59	3.54	1.30	1.93	1/2"	41110140
18"	11.96	17.95	5.38	3.46	0.47	7.99	1.04	0.71	4.72	1.93	2.60	5/8"	41110180
24"	33.77	24.41	6.30	4.88	0.71	13.11	1.38	0.98	5.83	2.24	4.37	7/8"	41110240

### Heavy Duty ( 90 H )

8"	2.80	8.66	2.00	2.32	0.36	4.02	0.79	0.59	2.72	1.28	2.28	1/2"	41111080
10"	5.07	9.96	2.44	2.87	0.36	4.72	0.79	0.57	3.39	1.50	2.64	1/2"	41111100
12"	10.06	11.89	3.38	3.23	0.45	6.89	0.97	0.71	3.70	1.91	0.28	5/8"	41111120
15"	13.38	15.12	3.55	3.74	0.47	7.09	1.20	0.83	4.49	2.09	3.35	3/4"	41111150
18"	18.74	18.11	3.87	4.41	0.47	7.52	1.20	0.83	5.14	2.22	4.29	3/4"	41111180
24"	88.51	24.41	5.98	7.17	1.57	12.99	2.44	1.18	7.76	4.13	4.65	7/8"	41111240

Material: Cast iron

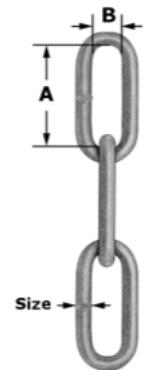
## Grade 30 Long Link Mooring Chain

Mooring chain is a low carbon general purpose chain with a long link design, allowing the hook up of shackles anywhere on the chain, not just the end links.

The long link makes it more flexible and ideally suited for mooring applications.



Mooring Chain	Nominal Dimension Inches		B/S (lbs)	Footage	Weight 100 ft	Product Code
Size	A	B				
<b>Full Drums</b>						
1/2"	3.00	7/8	15,000	100	230	38990032
3/4"	4.15	1-3/16	39,500	100	480	38990048
1"	4.15	2	55,000	100	860	38990100
1-1/8"	4.50	1-3/4	77,000	100	1080	38990108
1-1/4"	5.00	2	91,000	100	1350	38990116



Material                      Low Carbon Steel  
 Finish                         Bright or Hot Dip Galvanized  
 Packing                        100 ft. shots  
                                      500 ft per pallet

Sold in 100 ft quantities only !

**WARNING :**                      **NEVER EXCEED WORKING LOAD LIMITS!**  
 Do not use Grade 30 or 40 chains for overhead lifting applications.

## Timber Washers

Malleable round washers are used in various types of wood construction. These oversized washers have a large bearing surface designed to prevent heads and nuts from pulling into the wood.



Timber Washers Size (in.)	Hole Size	Outer Diameter	Thickness	Weight lbs/pc	Product Code
1/2"	1/2"	2-1/2"	1/4"	0.37	29720032
5/8"	5/8"	2-5/8"	1/4"	0.44	29720040
3/4"	3/4"	2-15/16"	3/8"	0.50	29720048
7/8"	7/8"	3-9/16"	1/2"	0.95	29720056
1"	1"	3-3/4"	1/2"	1.50	29720100

Material Malleable Steel  
Finish: Hot Dip Galvanized

Other sizes available upon request



### General Warnings

All Vanguard rigging products are sold with the express understanding that both the purchaser and the end user are thoroughly familiar with the safe, proper and acceptable applications of the products.

It is the responsibility of the end user to establish proper safety programs and to provide thorough training for all personnel prior to use. The training programs must meet any federal/provincial/state/local code requirements, existing plant/site safety rules and regulations, and all instructions provided in the applicable section of this catalogue.

Product failure can occur due to abuse, misapplication, lack of maintenance, use by unqualified personnel and improper inspection prior to use. **Any failure of rigging products may result in property damage, personal injury and even death!!!!**

### Standards

There are numerous government and industrial standards that cover rigging products. This catalogue makes no attempt to reference all of them; it references to the standards that are most frequently asked about.

### Working Load Limit (WLL) – Safe Working Load (SWL)

The Working Load Limits shown in this catalogue are applicable to products that are new or “in as new” condition. The Working Load Limits ratings refer to the maximum amount of force or load that the rigging product can carry under normal working/environmental conditions. The Working Load Limits and Design Factor can be affected by wear, misuse, overloading, shock loading, side loading, corrosion, deformation, product alteration and other use conditions. Inspection of rigging products prior to use is required to determine whether the product continues to meet the assigned WLL provided in this catalogue, should be used at a reduced rating or removed from service.

**The WLL rating must never be exceeded!!!!**



### General information disclaimer

The contents contained in this publication are for general information only.

Although every effort has been made to assure the accuracy of the information at time of print, persons who use the Catalog should note that ratings, laws, rules, and policies change from time to time and that these changes may alter the information contained in this publication.

Vanguard Steel Ltd. assumes no liability for Catalog errors or omissions.

It is the responsibility of each person who uses this Catalog to ascertain current information that pertains to the individual lifting program, particularly with regard to satisfactory safety compliance requirements. Check your Provincial and Local safety standards before any operation or lift is attempted.

It is the responsibility of the person/operator to frequently search for updated reference information.

Do not use lesser than matching Grade components for any lifting application !

Do not use Slings, Chains or Accessories with signs of wear or deformation !

Inspections - Each day before being used, the sling and all fastenings and attachments shall be inspected for damage or defects by a competent person designated by the employer. Additional inspections shall be performed during sling use where service conditions warrant. Damaged or defective slings shall be immediately removed from service.

# Five Locations to Serve You

Toronto  
Head Office  
2160 Meadowpine Blvd.  
Mississauga, Ontario  
L5N 6H6  
Phone (905) 821-1100  
Fax (905) 821-2024



Montreal  
2205 de l'Aviation  
Dorval, Quebec  
H9P 2X6  
Phone (514) 685-1515  
Fax (514) 685-1516



Winnipeg  
190 Omands Creek Blvd.  
Winnipeg, Manitoba  
R2R 1V7  
Phone (204) 694-2259  
Fax (204) 633-7230



Edmonton  
7606 McIntyre Road, N.W.  
Edmonton, Alberta  
T6E 6Z1  
Phone (780) 466-1115  
Fax (780) 469-4545



Vancouver  
7880 Fraser Park Drive  
Burnaby, BC  
V5J 5L8  
Phone (604) 294-3191  
Fax (604) 294-8845







# VANGUARD STEEL LTD.

[www.vanguardsteelvancouver.com](http://www.vanguardsteelvancouver.com)  
[www.vanguardsteel.com](http://www.vanguardsteel.com)