



THIMBLES

THIMBLES



www.vanguardsteelvancouver.com

www.vanguardsteel.com

VANGUARD STEEL LTD.

THIMBLES



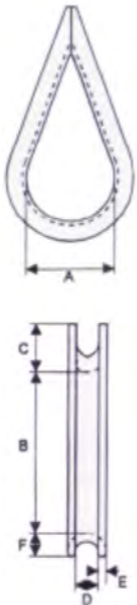
THIMBLES TABLE OF CONTENTS

	Page
AN Stainless Steel	1
Heavy Duty	2
Standard	3
Stainless Steel Heavy Duty	4



STAINLESS AN THIMBLES

For applications using small diameter galvanized or stainless cable.
 Made from AISI 316 stainless rod.



Size Inches	Item No.	Dimension Inches						Weight (lbs/100)	Product Code
		A	B	C	D	E	F		
3/64-1/16-5/64"	C-3	0.350	0.671	0.157	0.093	0.032	0.078	0.15	29600004
3/32-1/8-7/64"	C-4	0.350	0.671	0.218	0.140	0.032	0.078	0.43	29600006
5/32"	C-5	0.400	0.796	0.218	0.171	0.032	0.109	0.60	29600010
3/16"	C-6	0.500	1.000	0.312	0.203	0.032	0.171	0.98	29600012
1/4"	C-8	0.700	1.406	0.406	0.265	0.032	0.171	1.50	29600016
5/16"	C-10	0.900	1.796	0.437	0.328	0.040	0.218	3.50	29600020
3/8"	C-12	1.000	2.000	0.625	0.390	0.060	0.265	8.50	29600024

WARNING Wire rope thimbles do not have an established load rating and are meant to serve as rope protection only.



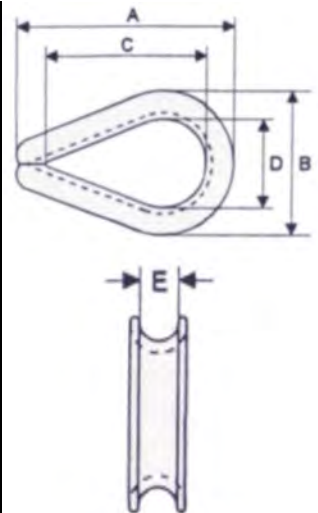
Heavy Duty Wire Rope Thimbles

Made from cold rolled steel, for protection of rope eyes in demanding applications.



A23:J51A23:J52A23:J51A10A23:J50A23:J50

Size Inches	Dimension Inches					Weight (lbs pc)	Product Code
	A	B	C	D	E		
1/4"	2.22	1.49	1.65	0.89	0.32	0.06	29060016
5/16"	2.53	1.82	1.88	1.08	0.40	0.11	29060020
3/8"	2.89	2.06	2.11	1.14	0.53	0.21	29060024
7/16"	3.25	2.32	2.39	1.24	0.55	0.27	29060028
1/2"	3.63	2.70	2.86	1.47	0.60	0.51	29060032
9/16"	3.53	2.77	2.66	1.53	0.56	0.51	29060036
5/8"	4.26	3.07	3.33	1.75	0.76	0.69	29060040
3/4"	5.09	3.73	3.68	2.04	0.95	1.53	29060048
7/8"	5.66	4.05	4.32	2.19	1.09	1.87	29060056
1"	6.56	4.50	4.80	2.32	1.25	2.48	29060100
1-1/8"	7.00	5.53	5.17	2.99	1.50	3.32	29060108
1-1/4"	9.00	6.50	7.50	3.20	1.64	8.16	29060116
1-3/8-1-1/2"	9.00	6.75	7.50	3.30	1.90	10.40	29060124
1-3/4"	12.00	8.11	8.64	4.10	1.50	15.10	29060148
2"	15.30	9.90	11.90	6.03	2.00	21.70	29060200



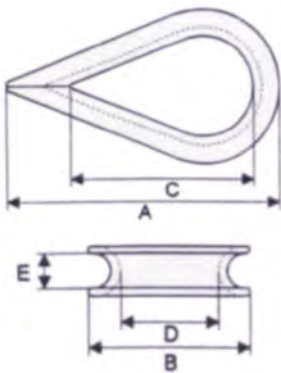
Meeting the performance requirements of:
U.S. Fed. Specs FF-T-276B, Type III

WARNING

Wire rope thimbles do not have an established load rating and are meant to serve as rope protection only.

Standard Thimbles

For light duty applications with fibre or wire ropes to protect rope eyes against cuts and abrasions.



Size	Dimension Inches					Weight (lbs pc)	Product Code
	A	B	C	D	E		
1/8"	1.92	1.18	1.33	0.70	0.19	0.03	29050008
3/16"	1.92	1.13	1.38	0.72	0.24	0.03	29050012
1/4"	1.95	1.09	1.38	0.71	0.29	0.03	29050016
5/16"	2.11	1.22	1.52	0.81	0.36	0.04	29050020
3/8"	2.25	1.43	1.70	0.94	0.40	0.06	29050024
1/2"	2.70	1.78	1.85	1.18	0.61	0.10	29050032
5/8"	3.48	2.32	2.32	1.37	0.74	0.32	29050040
3/4"	3.72	2.70	2.58	1.61	0.81	0.48	29050048
7/8"	4.97	3.08	3.54	1.89	1.00	0.76	29050056
1"	5.57	3.72	4.13	2.52	1.07	0.92	29050100

Meeting the performance requirements of:
U.S. Fed. Specs FF-T-276B, Type II

Finish: Electroplated zinc coating.

WARNING Wire rope thimbles do not have an established load rating and are meant to serve as rope protection only.



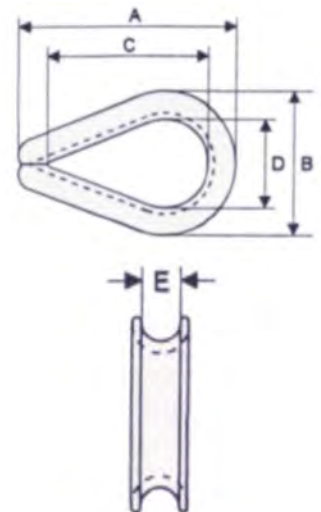
T 304 Heavy Duty Wire Rope Thimbles

Made from AISI 304 stainless rod.

Stainless Steel thimbles are used in corrosive environments on turn back eyes to extend sling life when used as rope protection.



Size Inches	Dimension Inches					Weight (lbs pc)	Product Code
	A	B	C	D	E		
3/16"	1.94	1.25	1.50	0.75	0.32	0.06	29610012
1/4"	2.22	1.49	1.65	0.89	0.32	0.06	29610016
5/16"	2.53	1.82	1.88	1.08	0.40	0.11	29610020
3/8"	2.89	2.06	2.11	1.14	0.53	0.21	29610024
7/16"	3.25	2.32	2.39	1.24	0.55	0.27	29610028
1/2"	3.63	2.70	2.86	1.47	0.60	0.51	29610032
9/16"	3.53	2.77	2.66	1.53	0.56	0.51	29610036
5/8"	4.26	3.07	3.33	1.75	0.76	0.69	29610040
3/4"	5.09	3.73	3.68	2.04	0.95	1.53	29610048
7/8"	5.66	4.05	4.32	2.19	1.09	1.87	29610056
1"	6.56	4.50	4.80	2.32	1.25	2.48	29610100



Meeting the performance requirements of:
U.S. Fed. Specs FF-T-276B, Type III

WARNING Wire rope thimbles do not have an established load rating and are meant to serve as rope protection only.



General Warnings

All Vanguard rigging products are sold with the express understanding that both the purchaser and the end user are thoroughly familiar with the safe, proper and acceptable applications of the products.

It is the responsibility of the end user to establish proper safety programs and to provide thorough training for all personnel prior to use. The training programs must meet any federal/provincial/state/local code requirements, existing plant/site safety rules and regulations, and all instructions provided in the applicable section of this catalogue.

Product failure can occur due to abuse, misapplication, lack of maintenance, use by unqualified personnel and improper inspection prior to use. **Any failure of rigging products may result in property damage, personal injury and even death!!!!**

Standards

There are numerous government and industrial standards that cover rigging products. This catalogue makes no attempt to reference all of them; it references to the standards that are most frequently asked about.

Working Load Limit (WLL) – Safe Working Load (SWL)

The Working Load Limits shown in this catalogue are applicable to products that are new or “in as new” condition. The Working Load Limits ratings refer to the maximum amount of force or load that the rigging product can carry under normal working/environmental conditions. The Working Load Limits and Design Factor can be affected by wear, misuse, overloading, shock loading, side loading, corrosion, deformation, product alteration and other use conditions. Inspection of rigging products prior to use is required to determine whether the product continues to meet the assigned WLL provided in this catalogue, should be used at a reduced rating or removed from service.

The WLL rating must never be exceeded!!!!



General information disclaimer

The contents contained in this publication are for general information only.

Although every effort has been made to assure the accuracy of the information at time of print, persons who use the Catalog should note that ratings, laws, rules, and policies change from time to time and that these changes may alter the information contained in this publication.

Vanguard Steel Ltd. assumes no liability for Catalog errors or omissions.

It is the responsibility of each person who uses this Catalog to ascertain current information that pertains to the individual lifting program, particularly with regard to satisfactory safety compliance requirements. Check your Provincial and Local safety standards before any operation or lift is attempted.

It is the responsibility of the person/operator to frequently search for updated reference information.

Do not use lesser than matching Grade components for any lifting application !

Do not use Slings, Chains or Accessories with signs of wear or deformation !

Inspections - Each day before being used, the sling and all fastenings and attachments shall be inspected for damage or defects by a competent person designated by the employer. Additional inspections shall be performed during sling use where service conditions warrant. Damaged or defective slings shall be immediately removed from service.