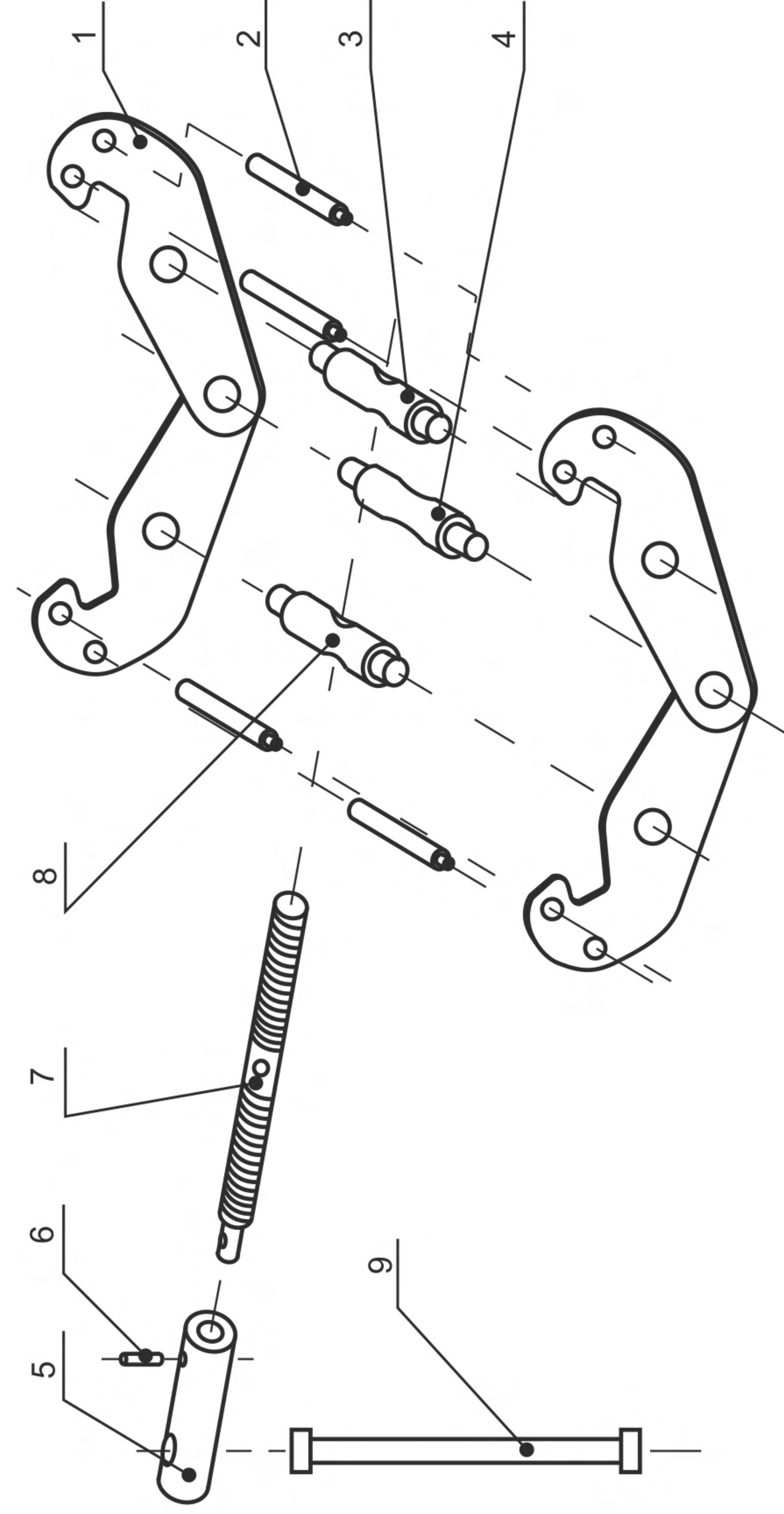


## BEAM CLAMP SPARE PARTS

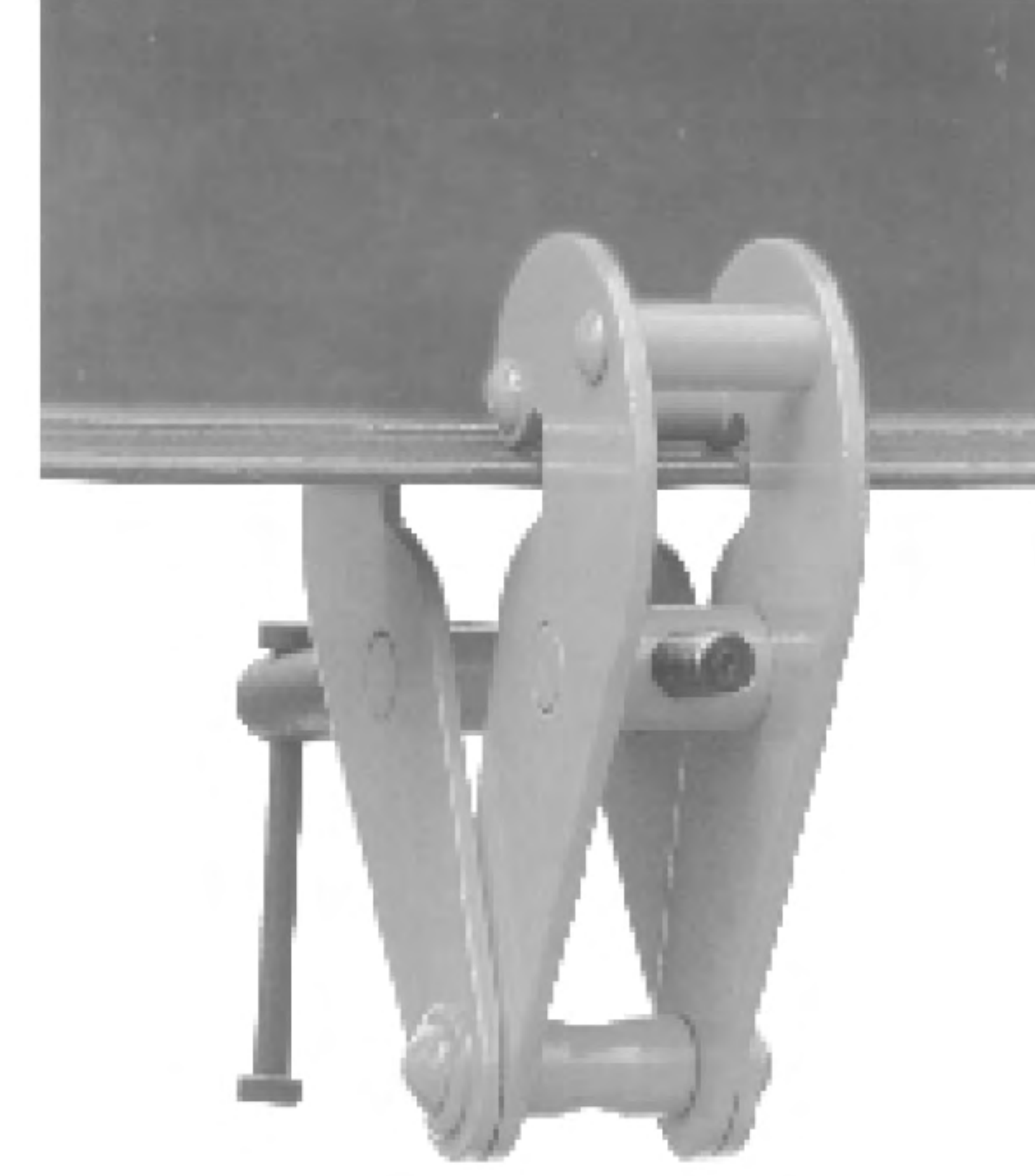


1. Side plate	2. Stay	3. Lever thread spindle	4. Equalizer pin
5. Lever handle link cover	6. Socket head cap screw	7. Screw mandrel	8. Dexter thread spindle
9. Handle			

# BEAM CLAMP

## OPERATING INSTRUCTIONS

**VGD** SERIES PRODUCTS



## INSTRUCTIONS FOR THE SAFE USE OF BEAM CLAMPS

### Using beam clamps safely

Ensure that the beam clamp is of the correct capacity for the load being lifted and that the beam will not be damaged by localised overloading.

Ensure that the clamp is fitted correctly over the centre of gravity of the item being lifted and will not be subjected to side loading.

Before lifting a load ensure that the clamp has been tightened and that the lifting appliance is fitted correctly into the eye of the clamp.

### In-service inspection and maintenance

Ensure that beam clamps are kept clean and moving parts are lubricated.

Regularly inspect beam clamps for wear, damage, distortion, cracks and any defects likely to cause a danger.

If any of the above defects are found remove the beam clamp from service and refer to a competent person.

Safety working load lbs	Adjustable beam width in	A max in	B		C in	D in	E in	F		G in	H in
			Min in	Max in				Min in	max in		
2,203	2.96-8.67	10.24	7.09	14.18	2.52	0.20	8.47	4.02	6.11	0.99	0.87
4,405	2.96-8.67	10.24	7.09	14.18	2.92	0.24	8.47	4.02	6.11	0.99	0.87
6,608	3.15-12.6	13.94	9.26	19.3	4.06	0.32	10.24	5.52	8.86	1.78	0.95
11,013	3.15-12.6	13.94	9.26	19.3	4.33	0.40	10.24	5.52	8.86	1.78	1.11
22,026	3.55-12.6	14.37	12.6	19.89	4.73	0.48	11.03	6.70	9.26	1.97	1.58

